

# STORAGE SHELTER

**MODEL#JIT-250A(HD)**

L3.0xW2.5xH2.3m

[www.vikre.no](http://www.vikre.no)

Assembly Manual



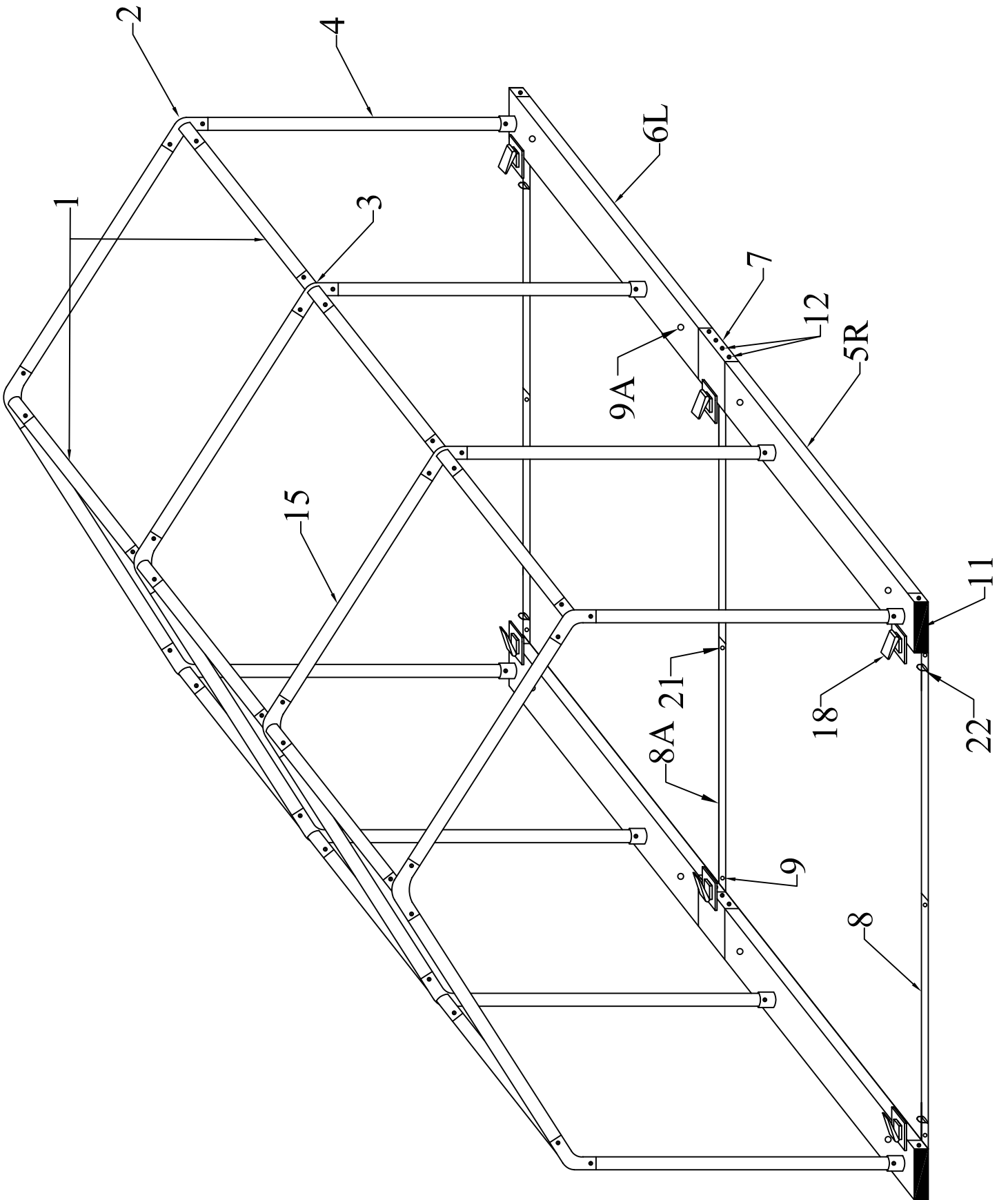
# SAFETY INSTRUCTIONS

1. Keep working area clean.
2. Do not install on a windy day, on slippery surface, etc.
3. Do not let children to the working area.
4. Hold steady footing.
5. Do not install when under influence of drugs or alcohol.
6. Avoid setting on a windy area. Install preferably on a concrete base. Remove tarpaulin during string wind.
7. Remove heavy snow from the top, and always before stepping in the tent.
8. Do not hurt your fingers while setting up the frame tubing.
9. Use only for storing of materials. This tent is not intended for sheltering humans or animal, not even temporarily. Do not make any structural changes.
10. Do not hang anything from the frame tubing. Do not climb on the tent, do not hang from the top tubes.
11. Do not use such heaters in the tent which might set it on fire.

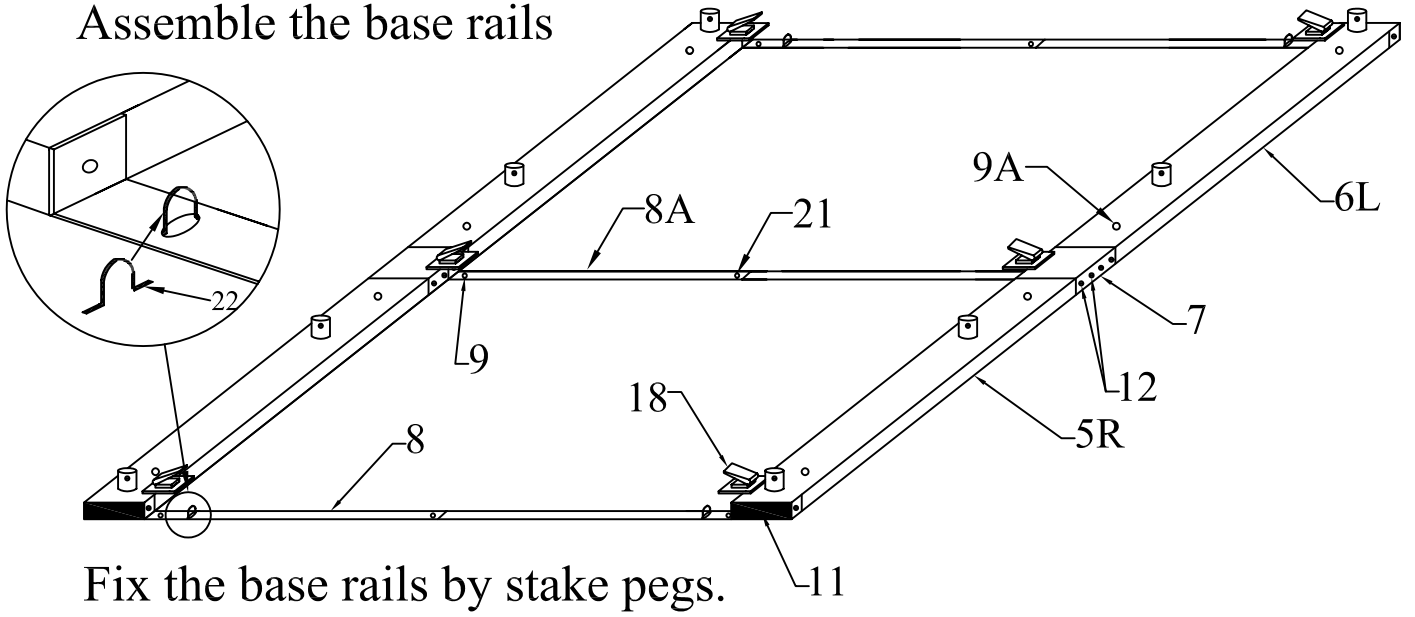
Note: the individual parts are numbered as per the parts list for your installation convenience. Finally, check that all the nuts and bolts are tightened well.

## Part List of JIT-250A

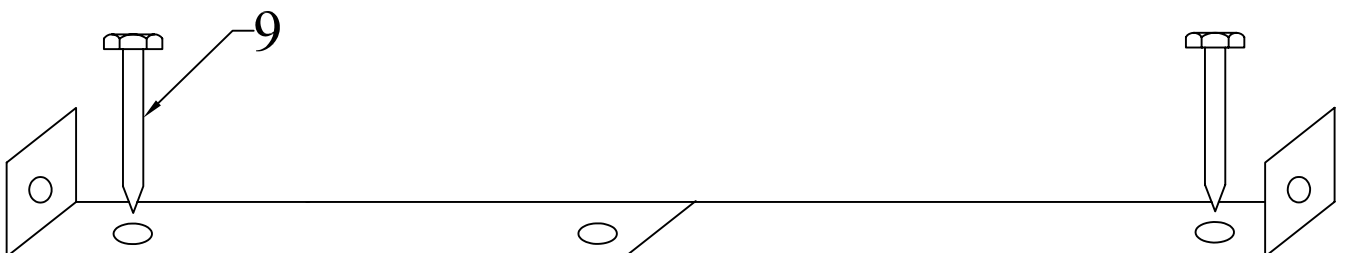
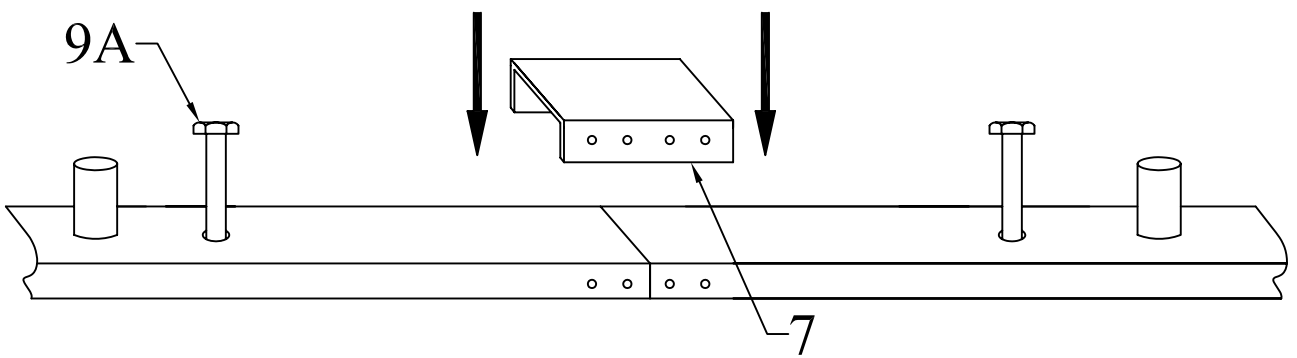
PART	DESCRIPTION	QTY
1	Horizontal rod	9
2	3-way-in-1 bracket	6
3	4-way-in-1 bracket	6
4	Vertical rod	8
5R	Base square tube A	2
6L	Base square tube B	2
7	Connection plate for base square tube	2
8	Base connection flat bracing	2sets
8A	Base connection flat bracing in the middle	1set
9	stake pegs on Part# 8 8A	6
9A	stake pegs on Part# 5&6	8
10	Roof cover	1
10A	Front and back cover	2
11	Plastic cap for base square tube	4
12	Base connection screw	12
13	Elastic ball bungee connectors	28
14	Dropping rod for door cover	2sets
15	Roof slanting rod	8
16	Plastic cap for dropping tube for door cover	8
17	Lower roof cover tensioning tube	6
18	Tie down ratched for roof cover	6
19	Nylon bands for tie down ratchet	6
20	Connectiong crew	20
21	Connectiong crew M8x16 for base connection flat bracing	3
22	Hooks for roof cover tensioning	4



Assemble the base rails



Fix the base rails by stake pegs.



Install the roof cover

- 1, Attach the roof cover to the frame evenly.
- 2, Insert the Tensioning Tubes (part code 17) into the "sleeves" in the bottom of both sides of roof cover.
- 3, Put the Band for tie down ratchet(part code 19) through the tensioning tubes and the reels of the Tie down ratchet(part code 18).
- 4, Before tensioning the roof cover with ratchets, make certain that both ends have equal overlap.
- 5, Make the ratchet up and down until the cover is fully tensioned.

