

Storage Hall

132613R 13'x26'x13'

W4.0xL8.0xH4.0m

Assembly Instructions



RECOMMENDED TOOLS



Please read instructions **COMPLETELY** before assembly. This shelter **MUST** be securely anchored. **THIS IS A TEMPORARY STRUCTURE AND NOT RECOMMENDED AS A PERMANENT STRUCTURE.**

Before you start: 3+ individual recommended for assembly, approximate time 4.5 hr.

ATTENTION:

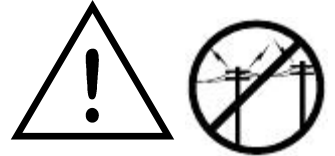
This shelter product is manufactured with quality materials. It is designed to fit our custom fabric cover included. Our shelters offer storage and protection from damage caused by sun, light rain, tree sap, animal - bird excrement and light snow. Please anchor this structure properly. See manual for more anchoring details. Proper anchoring, keeping cover tight and free of snow and debris is the responsibility of the consumer. Please read and understand the installation detail, warnings and cautions prior to beginning installation. If you have any questions contact your local dealer.

DANGER:

Prior to installation, choose the location of your shelter carefully.

DANGER: Keep away from electrical wires.

Check for overhead utility lines, tree branches or other structures. Check for underground pipes or wires before you dig. DO NOT install near roof lines or other structures that could shed snow, ice or excessive run off onto your shelter. DO NOT hang objects from the roof or support cables.



WARNING:

Risk of fire. DO NOT smoke or use open flame devices (including grills, fire pits, deep fryers, smokers or lanterns) in or around the shelter. DO NOT store flammable liquids (gasoline, kerosene, propane, etc.) in or around your shelter. Do not expose top or sides of the shelter to open fire or other flame source.



CAUTION:

Use **CAUTION** when erecting the frame. Use safety goggles during installation. Secure and bolt together overhead poles during assembly. Beware of pole ends.

PROPER ANCHORING AND INSTALLATION OF FRAME:

PROPER ANCHORING OF THE FRAME IS THE RESPONSIBILITY OF THE CONSUMER.

We are not responsible for damage to the unit or the contents from acts of nature. Any shelter that is not anchored securely has the potential to fly away causing damage, and is not covered under the warranty. Periodically check the anchors to ensure stability of shelter. We cannot be responsible for any shelter that blows away._

NOTE: *Your shelter's cover can be quickly removed and stored prior to severe weather conditions.* If strong winds or severe weather is forecast in your area, we recommend removal of cover.

CARE AND CLEANING:

A tight cover ensures longer life and performance. Always maintain a tight cover. Loose fabric can accelerate deterioration of cover fabric. Immediately remove any accumulated snow or ice from the roof structure with a broom, mop or other soft-sided instrument. Use extreme caution when removing snow from cover- always remove from outside the structure. DO NOT use hard-edged tools or instruments like rakes or shovels to remove snow. This could result in punctures to the cover. DO NOT use bleach or harsh abrasive products to clean the fabric cover. Cover is easily cleaned with mild soap and water.



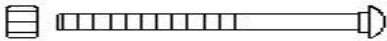
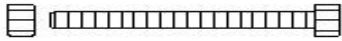
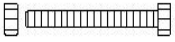

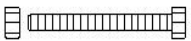
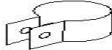


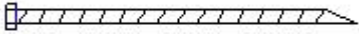




WARRANTY:

This shelter carries a full limited warranty against defects in workmanship. We warrant to the Original Purchaser that if properly used and installed, the product and all associated parts, are free from manufacturer's defects for a period of:

1 YEAR FOR COVER FABRIC, END PANELS AND FRAMEWORK

Parts List for Storage Hall 132613R W4.0xL8.0xH4m

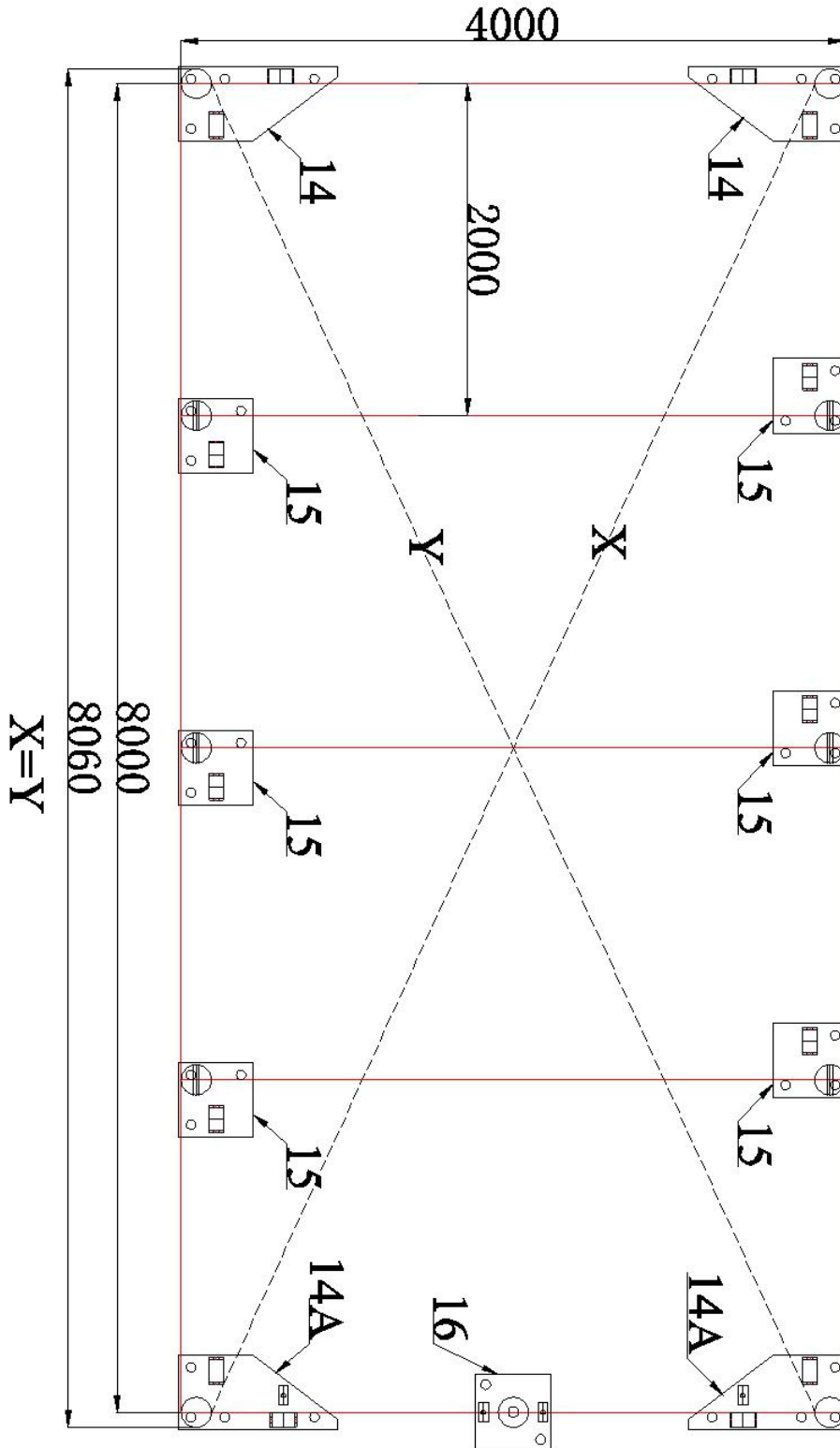
Part Code	Description of Parts	Qty (PC)
1	Roof Bent Tube	5
2	Shoulder Bent Tube	10
3	Upright	8
3A	Upright for Back Wall	2
4	Purlins	20
5	Tension Pipe	2
6	Bracing Pipe	4
7	The Front Wall Rail	1
8	Hangar Rod	1
9	Pulling Rod	1
10	Upright for Back Wall	1
11	Upright for Back Wall	1
12	Middle Rails for Back Wall	2
13	Tension Pipe for Back Wall	2
14	Base Plate of Front Wall	2
14A	Base Plate of Back Wall	2
15	Middle Base Plate	6
16	Base Plate of Back Wall	1
17	Angle Steel (2 holes)	1
18	Angle Steel (1 hole)	3

19	Carriage Bolt M10x80mm for purlins)		26+4
20	Bolt M8x70mm for arches connection and the upright connection of back wall		64+6
21	Bolt M10x30mm for Connection Plate		4+2
22	Bolt M10x60mm for Connection Plate		4+2
23	Bolt M8x50mm for Bracing Pipe		8+2
24	Pipe Clip 60#		8
25	Tension Strap 32*1000mm		10+2
26	Plastic Plug Φ32		4
27	Stake Anchors 14*450		26
28	Nylon Ropes 4# 100m (20m/pcs * 5pcs)		1
29	Roof Cover		1
30	Front Cover		1
31	Back Cover		1

INSTALLATION PROCESS

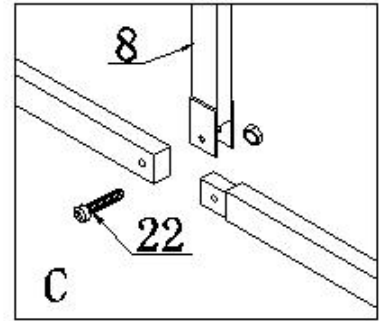
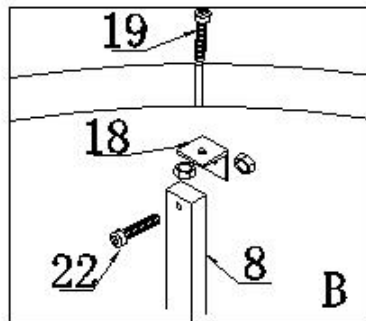
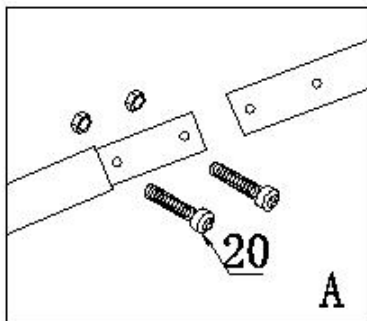
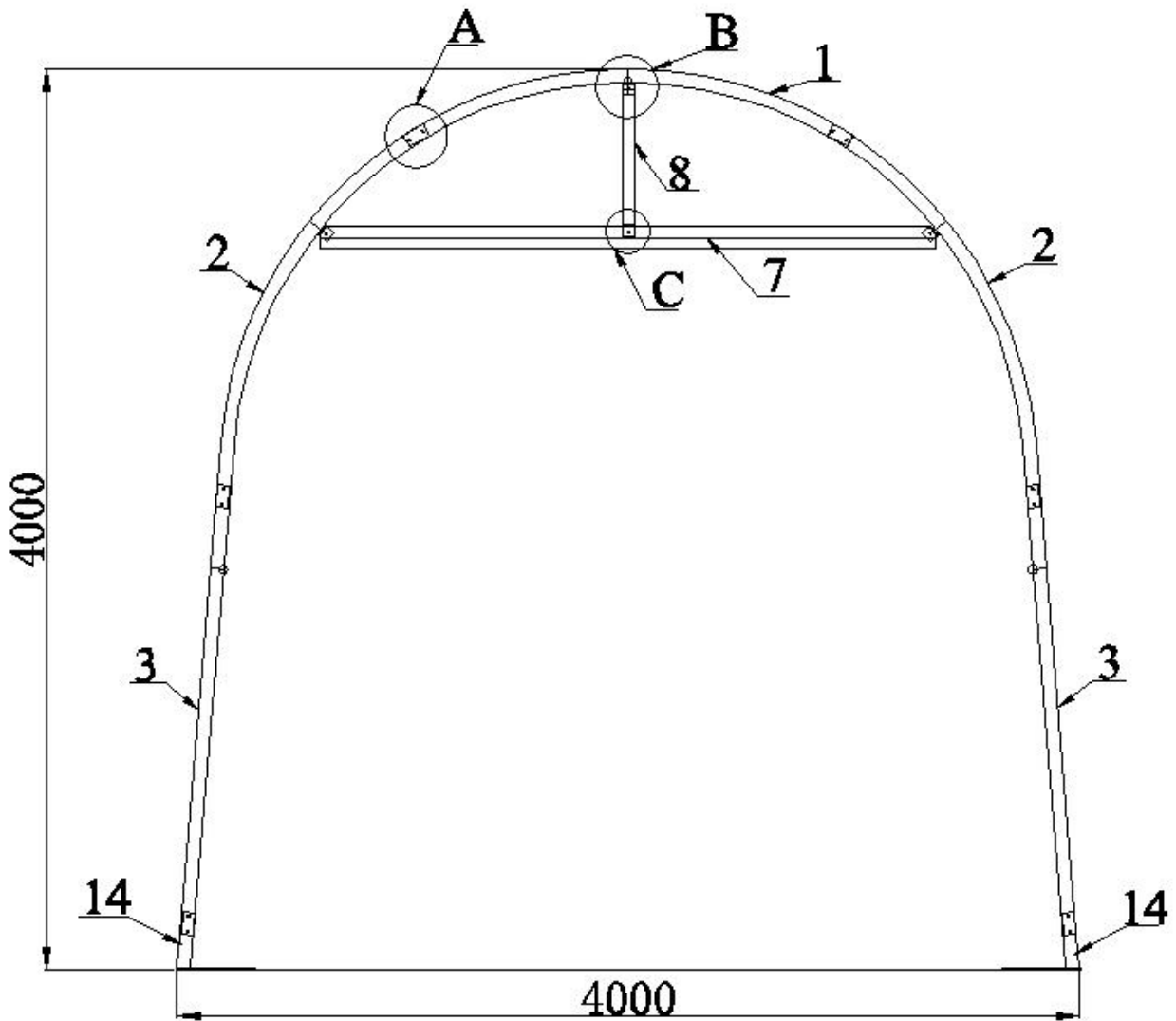
Base Plate Installation

Please refer to the diagram below to mark the position of base plates

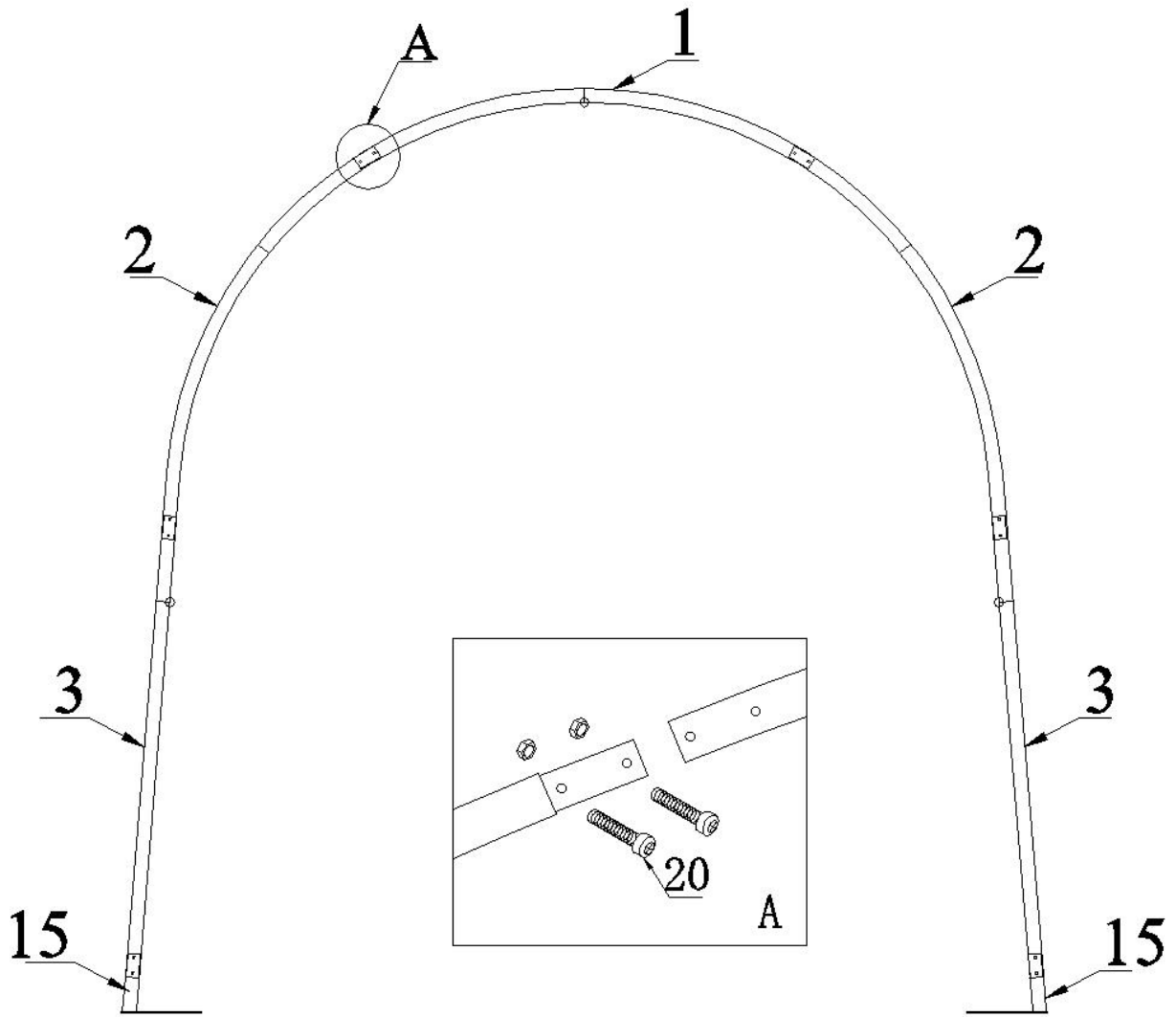


Frame Installation

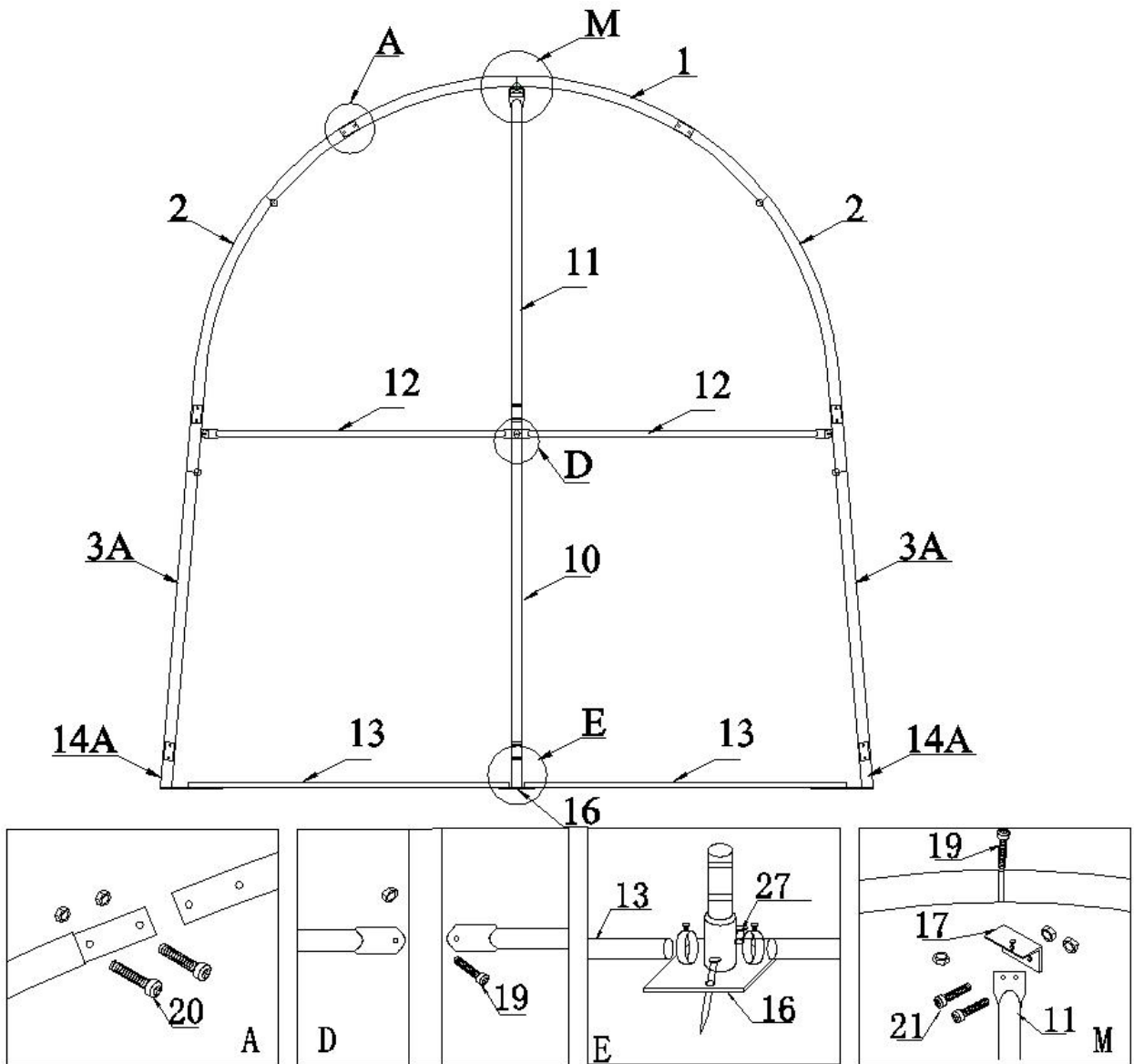
Step 1: Arch No.1 (Front Wall)



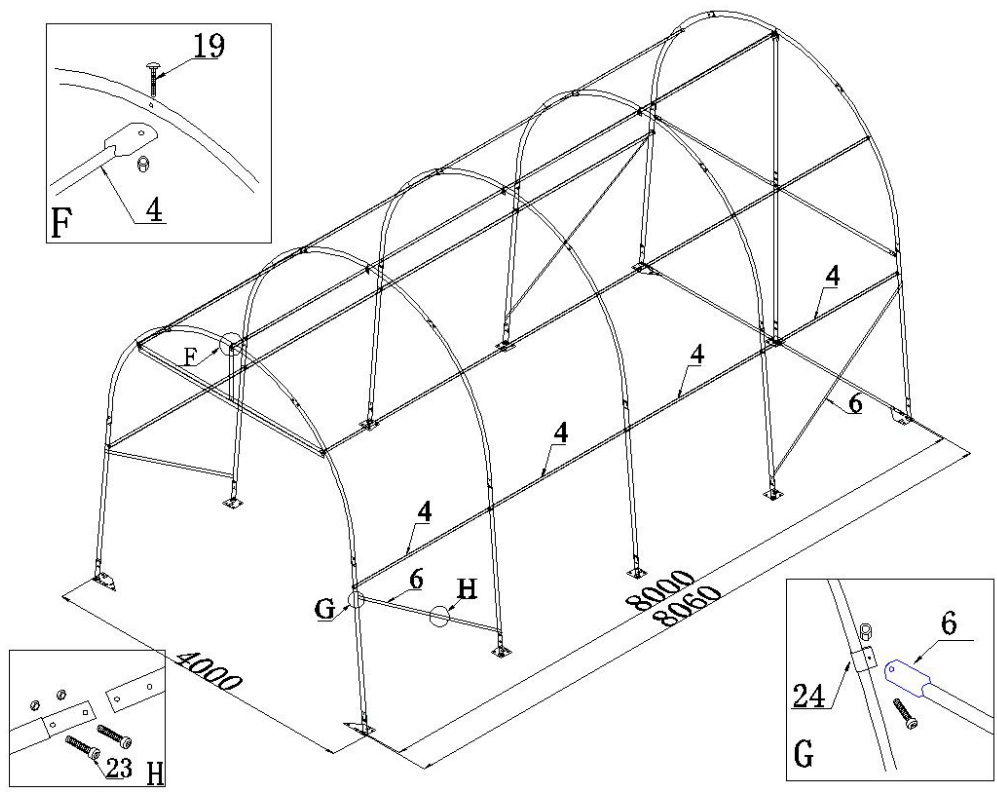
Step 2: Arch No.2, No.3 and No.4



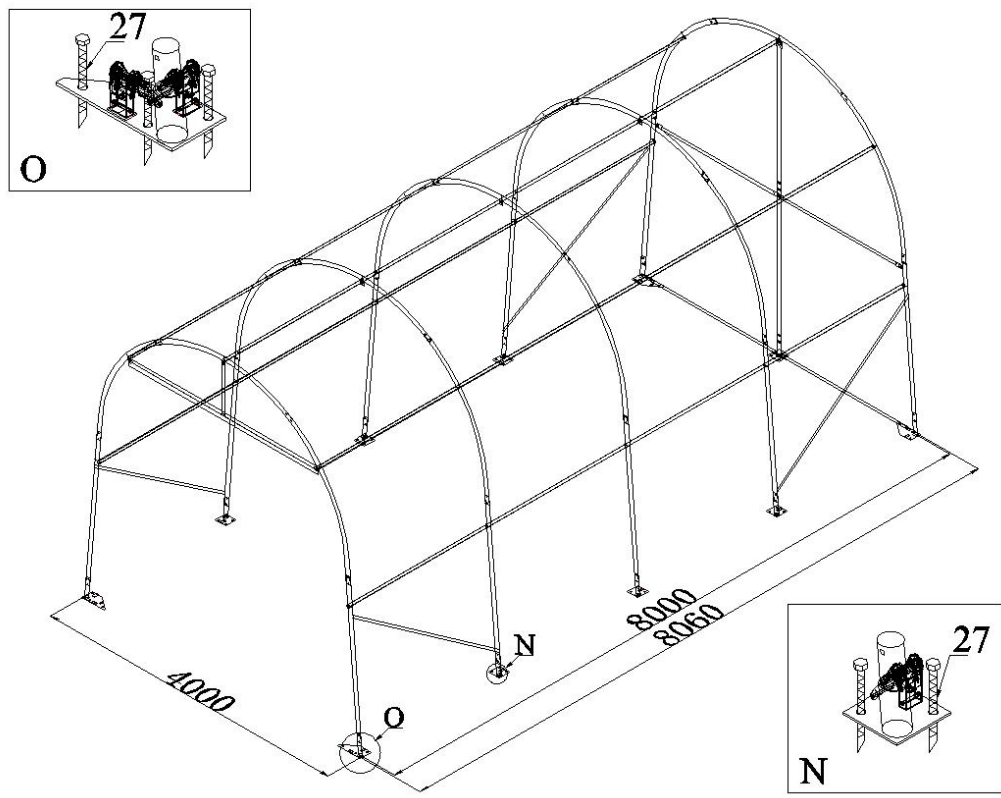
Step 3: Arch No.5 (Back Wall)



Step 4: Purlins and Sidewall Bracing Tubes

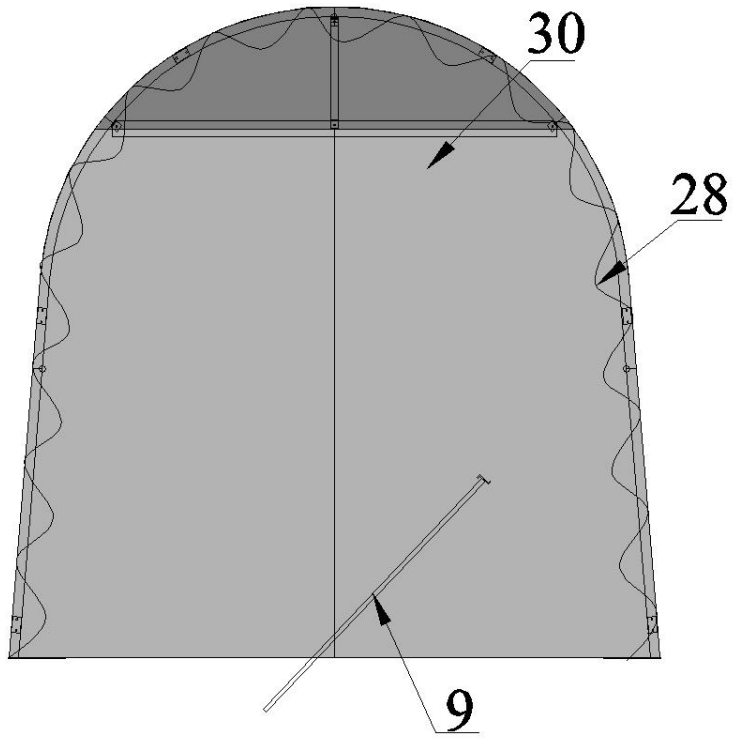


Step 5: Squaring Up The Frame and Install Stake Pegs

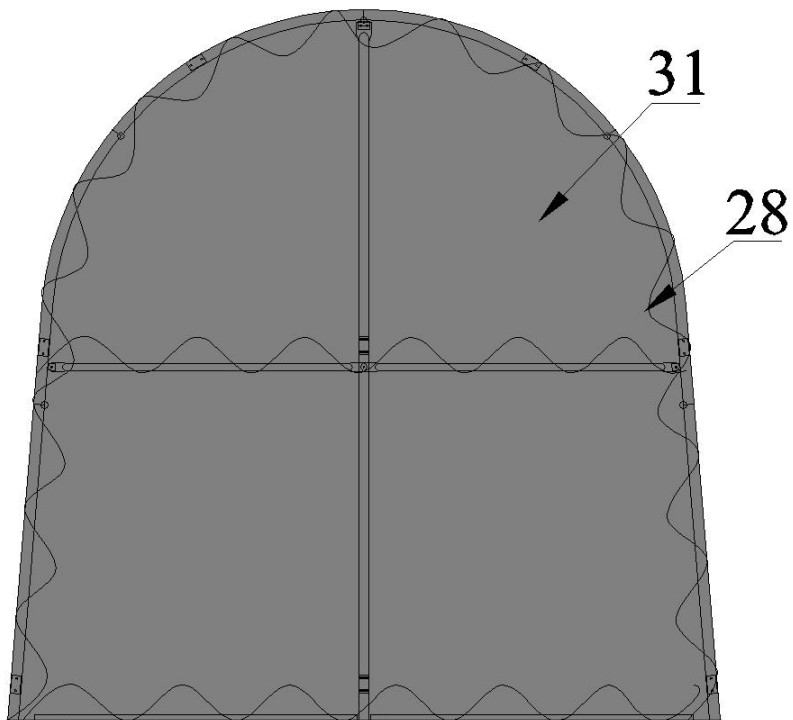


Cover Installation

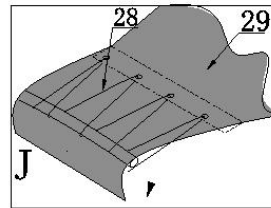
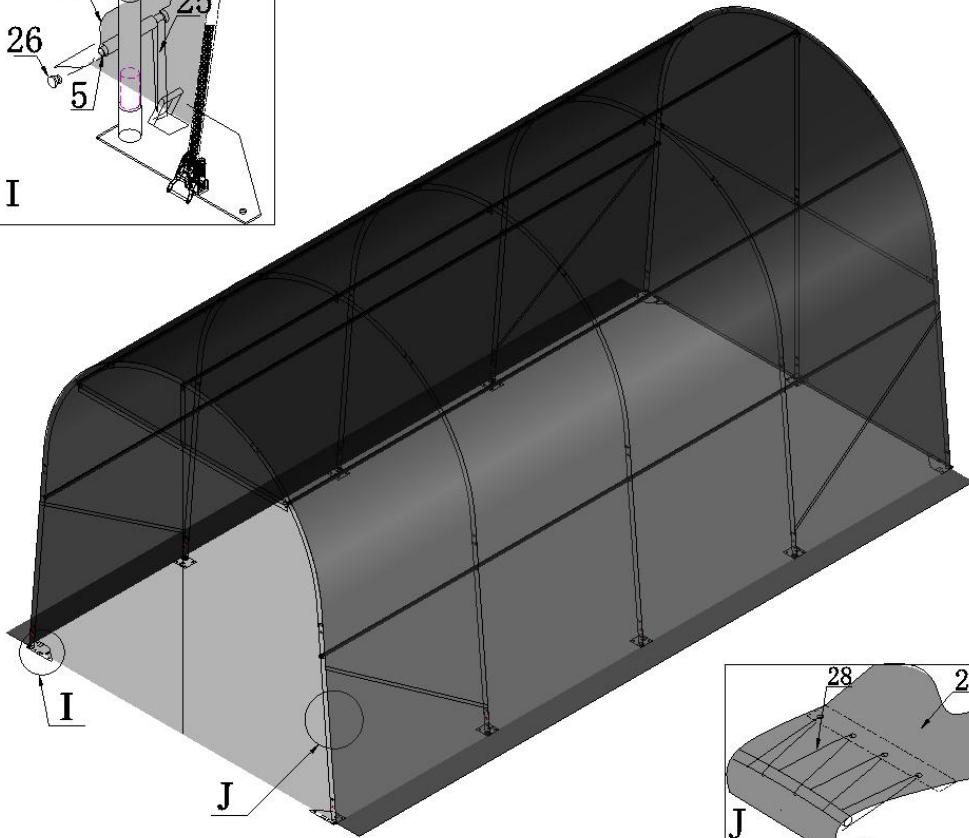
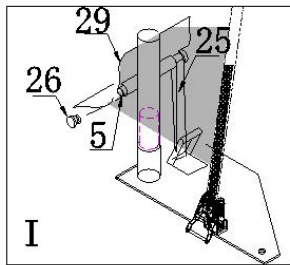
Front Cover and Front Door



Back Cover



Roof Cover



Now your assembly is completed.