

Welded Dog Kennel 4'L×4'W×4.5'H

Assembly Instructions



Parts List

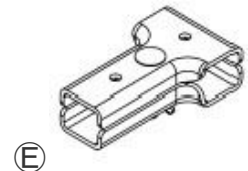
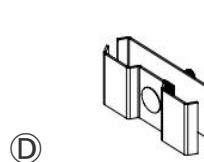
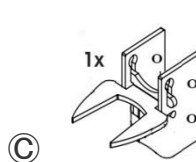
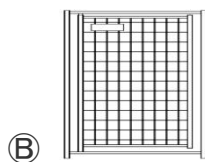
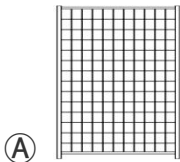
plain panels
7pcs

gate panel
1pc

gate latch
1pc

clamp(W bolt Wing nut)
16pcs

ridge pole clamp
2pcs



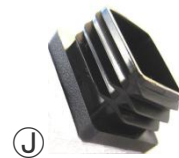
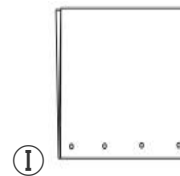
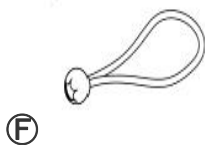
bungee cord
12pcs

Roof Truss frame
2pcs

pole section
1pc

Roof cover
1pcs

Plastic plug
28pcs



1. Unpack parts and check all the parts.(see No at bottom of the page if you have missing or damaged parts)

2. Layout panels in configuration shown (Fig.1).Determine location of your gate when laying out your panels. NOTE:1"leg extension are facing inward when you lay them out.

Fig.1

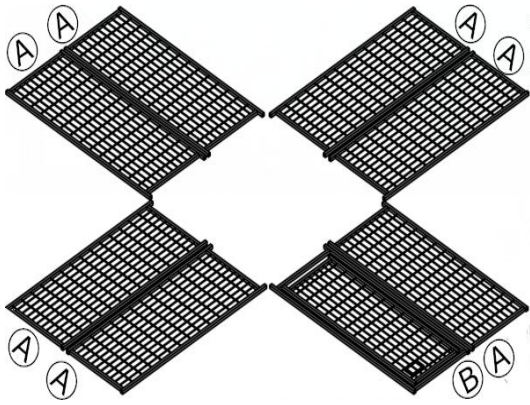
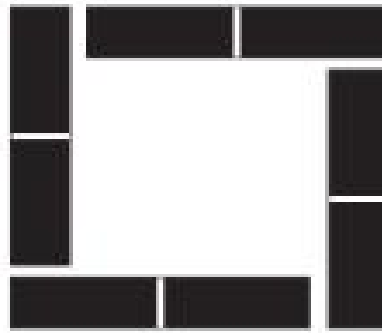


Fig. 2



3. Stand up two panels and create 90° corner of kennel! place clamps approximately 6" from both the top and bottom adjacent panels. Tighten wing nuts hand tight, **IMPORTANT NOTE:** The frame of the front & back panels of the kennels need to be like (Fig.2) when attaching the clamp, complete the assembly of panels of clamps until kennel configuration is complete. Press the plastic plug into frame pipe(not including the position for inserting Roof Truss frame Fig.4)

NOTE: Wing nut should face outside of kennel for pet safety & tighten all once assembled to secure kennel.

Fig. 3

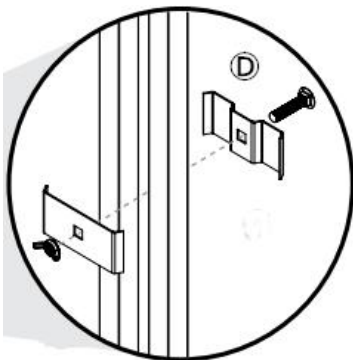
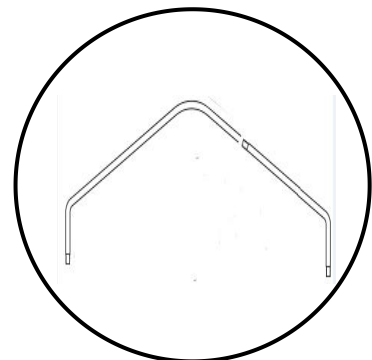


Fig4



Fig5



4. Insert ends of roof truss frames into the corner of the kennel at each end and in the center of the kennel (Fig.5) Loosely attach center clamp to the roof truss in the center of the kennel. Insert ridge Pole in and then attach at opposite end with ridge Pole clamp. Repeat on the other side of the center clamp. this will create a ridge from the front to back of the kennel. Tighten all wing nuts. Place cover over frame and evenly attach using bungee cords connectors provided.

NOTE: Wing nuts on ridge Pole clamps should face down so they don't damage the cover material.

Fig.6

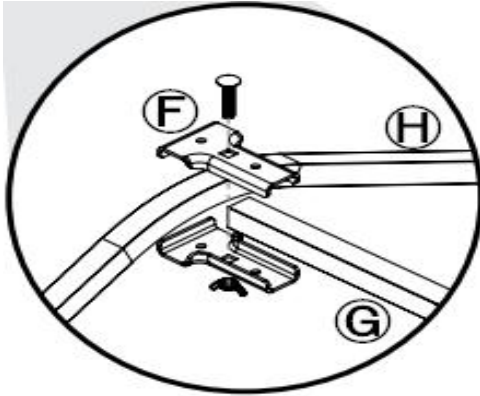
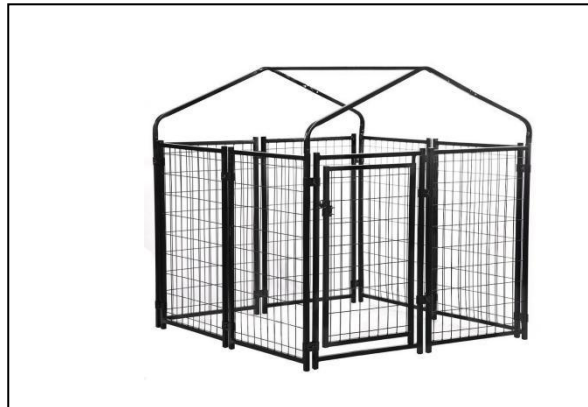


Fig.7



5. Fasten latch assembly to gate panel. Place latch slightly above the middle of gate. Fasten with 2 pcs of screws & swing nuts as shown(Fig.9)

Fig.8

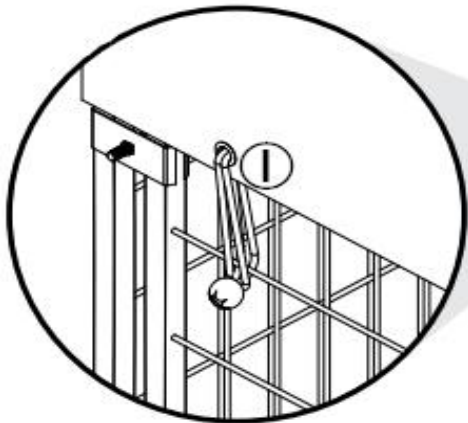


Fig.9

